

MODEL
B512



DESCRIPTION

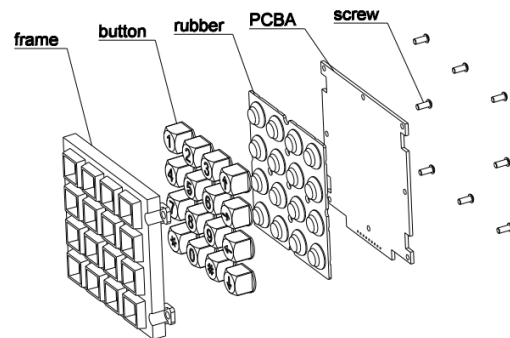
The 16 key Z.series keypads are specially designed for public environment applications, such as vending machines, fuel dispensers, payment terminals, telephones, access control systems and industrial machinery.

Keys and front panel are built from chrome plated zinc alloy (Zamak) with high resistance to impact and vandalism and is also sealed to IP67.

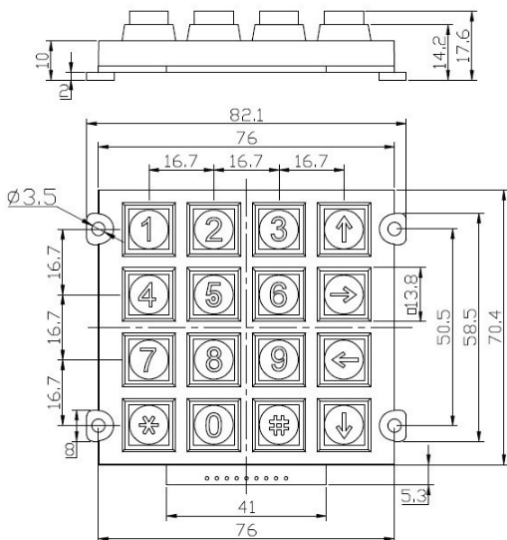
1 MAIN COMPONENTS

- Frame and keys are made of RoHS approved zinc alloy material
- Conductive rubber with carbon granules
 - Contact resistance: $\leq 150\Omega$
 - Elastic force: 200g
- 1.5mm thickness UL approved printed circuit board with golden fingers

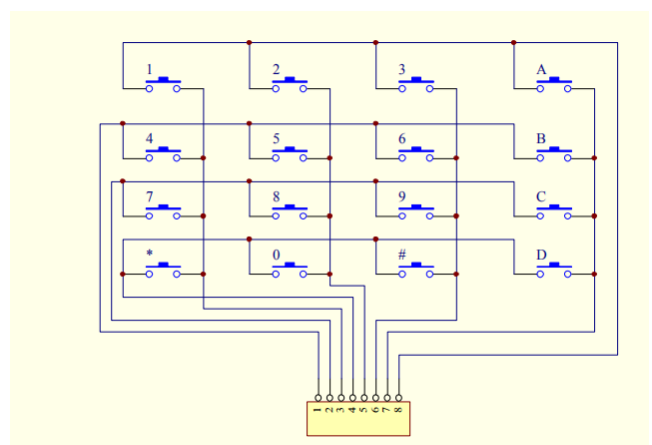
2 STRUCTURE DRAWING



3 DIMENSION DRAWING



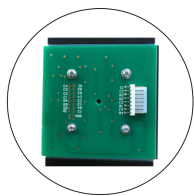
4 COMMON CIRCUIT



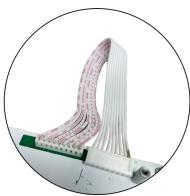
5 SPECIFICATION

Electrical Specification	Power Supply	Nominal 3 VDC	
		Max. voltage 12VDC	
		Min. voltage 3VDC	
	Contact Resistance	≤150Ω	
Mechanical Characteristics	Storage Temperature	-40 ℃ ... +85 ℃	
	Operation Temperature	-25 ℃ ... +65 ℃	
	Protection Grade	IP65	
	Shock Resistance	IK09	
	Electrical Life	1 million cycles of operation per key	
	Key Travel	0.45mm	
	Environmental Resistance	Actuation Force	250g/2.45N
		Environmental Resistance	Damp heat 21 days +40 ℃
Saline mist 96 Hours			
Dry heat 10 days +85 ℃			

6 CONNECTOR



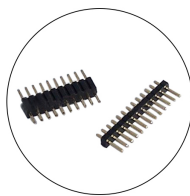
Plug Connector



SCN plug+cable



XH plug+cable



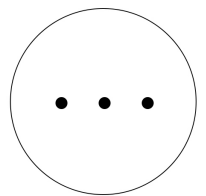
Pins header



DB9 Connector



USB



More

7 APPLICATION

